

SUPERIOR ENGINEERING INC.

SUPERIOR A-FRAME

TUGGER ATTACHMENT

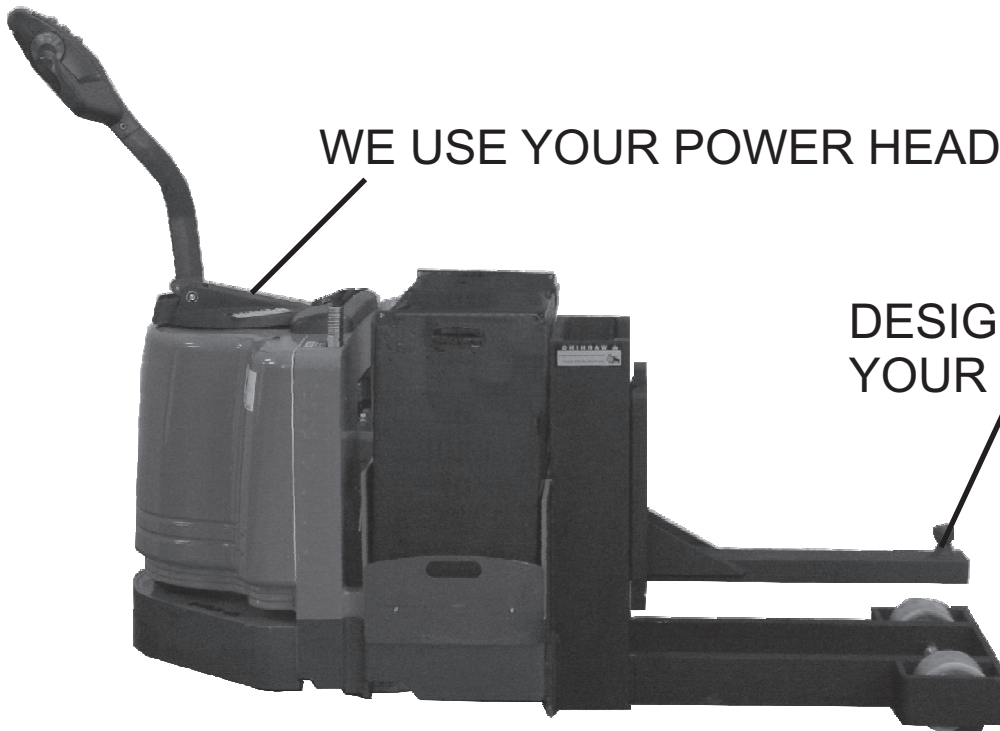


SE SUPERIOR ENGINEERING 1-800-359-3052
WWW.SUPERIORENG.COM

SUPERIOR A-FRAME TUGGER

**MULTIPLE HITCH STYLES
INCLUDING BALL, PIN AND
SWIVEL CHANNEL STYLES**

**CAPACITY UP TO 10,000#
OSHA AND ANSI/ASME COMPLIANT
AMERICAN MADE**



WE USE YOUR POWER HEAD

DESIGNED TO MEET
YOUR NEEDS

**SE SUPERIOR
ENGINEERING**

1-800-359-3052

WWW.SUPERIORENG.COM

A-Frame - Tugger Worksheet

LOAD INFORMATION Maximum Load Weight - _____ pounds

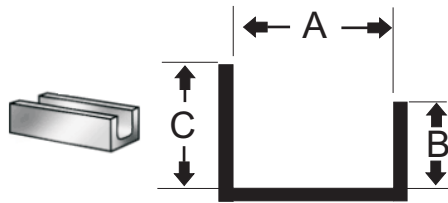
LOAD TYPE - CIRCLE ONE Cart - Trailer - A-Frame - Other _____

Ball Hitch



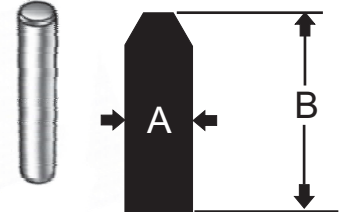
BALL DIAMETER

Channel Hitch



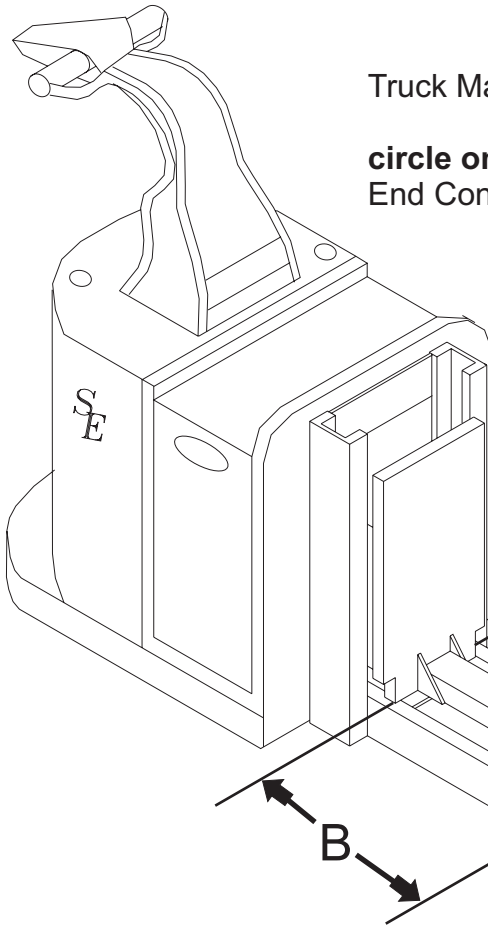
A- _____
 B- _____
 C- _____
 WIDTH- _____

Pin Hitch



A- _____
 B- _____

SPECIAL INFORMATION



Truck Make/Model _____

circle one
 End Control - Center Control - Tugger - Other

_____ A-HITCH CENTER
 _____ B-LOAD WHEEL CENTER
 _____ C-LOWERED HEIGHT
 _____ D-RAISED HEIGHT

Dealer _____ Salesman _____

Phone _____ e-mail _____